



Telecast
Fiber Systems, Inc.

POV Systems

Bi-directional Video/Audio/Data Robotic Camera Links



Delivers Camera and Control Signals in Both Directions — for HD/SDI Digital and Analog Video

Telecast's POV (point-of-view) line of fiber optic video/data transceiver modules are the perfect acquisition and transport systems for your high quality robotic cameras. Select the 5200-series for analog cameras, or the 5400-series for digital SDI or HD/SDI cameras..

As a broadcast link, these modules are used for goal cameras, beauty shots, etc. As a high end professional video link, they preserve the quality and integrity of your CCD camera output, while giving you two or three channels of high speed, duplex data for pan-tilt-zoom (PTZ) and camera control. The return video path provides a broadcast quality monitor return, or a genlock/tri-level sync signal to the camera.

The 5400-series supports digital video rates from 270 Mbps up to 1.5Gbps uncompressed HD/SDI. The 5200-series supports NTSC, PAL and SECAM video formats, and provides up to 10 MHz of video bandwidth.

The transceivers are available as stand alone "throw down" modules or as 2-slot wide rack mount (base station end only) modules to fit our Viper II 3RU frame.

Telecast POV units can serve as handy, multifunction links for a variety of purposes in your broadcast operations >>>

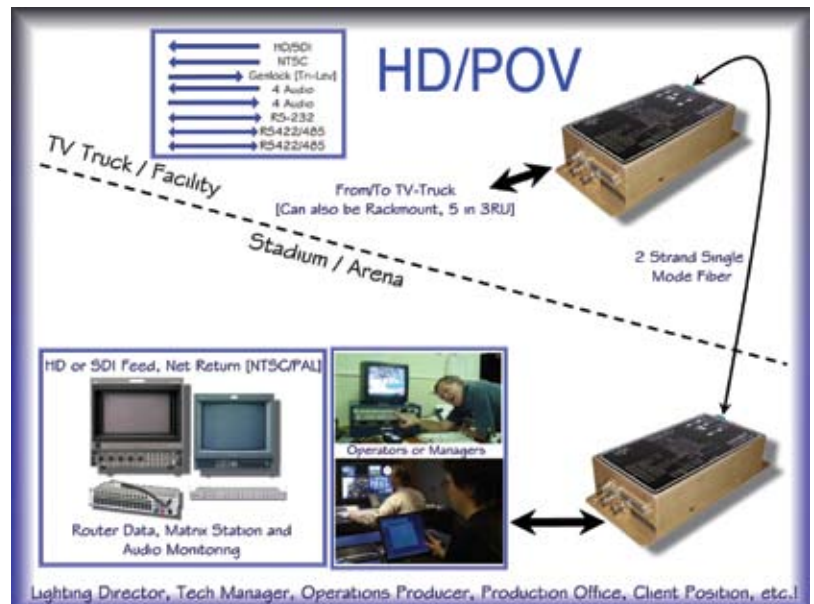
POV systems can support virtually all robotic cameras, including state of the art HD/POV platforms <<<

Features

- Bi-directional on one or two fibers
- For Analog or Digital HD/SDI cameras
- Digital versions for SDI or HD/SDI
From 270 Mbps to 1.5 Gbps uncompressed
- Analog video meets RS250-C short haul specs
NTSC, PAL & SECAM compatible
Broadcast-quality, digitally transmitted
Wideband video, up to 10 MHz.
- Two duplex data channels
One RS-232, up to 150 kbaud
One or two RS-422/485, up to 1 Mbaud
- 2 GPI relay closure circuits, one each way
- Return genlock, or tri-level sync for HD
- Optional audio, 4 channels each direction
- Optional camera-power version
Uses SMPTE hybrid fiber/wire cable
Includes two aux DC outputs
- Durable construction
- Rack-mount or stand-alone base station ends
- Wide temperature range
- Low power consumption
- High reliability design

Applications

- Television broadcast point-of-view
 - Action sports shots
 - Beauty shots
 - Traffic cameras
- High end surveillance video
- Closed circuit television
- Remote cams



Specifications

Video, Digital

Interface	SMPTE 259M, 292M
SDI Rates Supported	270 Mbps to 1.5 Gbps, Uncompressed
Input Coaxial Equalization	Up to 100 meters
Input Level	800 mV (peak to peak)
Input/Output Impedance	75 Ohms
Bit-Error Rate (@ -22 dBm)	10 ⁻¹²
Jitter (pathological data pattern)	<0.2 UI
Rise/Fall Times	<270 ps

Video, Analog

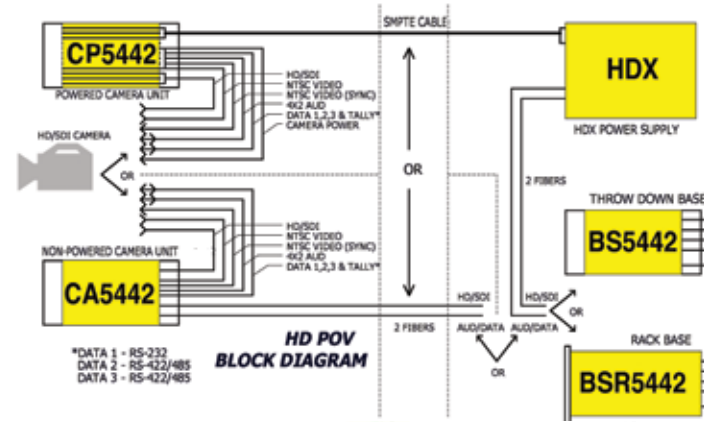
Interface	RS170, NTSC, PAL, SECAM
Input/Output Level	1 Vp-p, 75 Ohms
Frequency Response	
30Hz-5MHz	±0.15 dB
-3dB point, min.	>10MHz
Signal to Noise Ratio, weighted	>70 dB
Differential gain	<1%
Differential phase	<0.7°
Line Time Distortion	<0.5 IRE
Chrominance-Luminance Intermod.	<0.5%

Audio

Input/Output Impedance	10 kΩ/30 Ω
Frequency Response	±0.2 dB, 20Hz to 20kHz
Audio Signal to Noise Ratio	> 95 dB, A-weighted
Total Harmonic Distortion (20Hz to 20kHz)	< 0.1%

Data/Auxiliary

RS422 or RS485, selectable	0 to 1 Mbaud
RS232	0 to 150 kbaud
Jitter	33 nsec
Contact Closure	Normally Open, Form 1 SPST



Electro-Optical

Operating Wavelengths	
From camera, CA out	1310 nm
To camera, BS out	1550 nm
Transmitter Laser output power, minimum, standard	-7 dBm
Receiver Sensitivity, minimum, standard	-22 dBm
Fiber Compatibility	single mode (5400-series), single or multimode (5200-series)
Optical Connector	
Standard	SC type
Optional	ST type
CP, Powered camera end, optional	LEMO SMPTE Hybrid
Recommended distance limit	
Standard	5 km
Optional, DFB laser	20 km

Mechanical/Electrical/Environmental

Dimensions (LxWxH)	
Throw down unit, basic	8.7"Lx 3.9"W x 1"H
Throw down unit, high	8.7"L x3.9"W x2"H
Throw down unit, camera powered	9.7"L x4.8"W x3.2"H
Rack Mounted, 2 Slots in V2Frame	11.3"L x5"W x2"H
Weight (per stand alone module)	10-12 ounces
Video connectors	BNC
AUX signal connector, data 1 & 2 plus GPI closure	DB-15
AUX signal connector, data 3 plus audio in/out (high unit & CP only)	DB-25
AUX power output, CP unit only	
Connectors, Outputs 1 and 2	
Power rating, nominal	4-pin XLR, female
Power Requirement, feature dependent	50 watts max@14 VDC
Temperature Range	5-10 watts@10-18VDC
Humidity Range	-25° to +55°C
	0 to 95% RH, Noncondensing

Base station end modules are available as "throw down" units or may be rack mounted in the popular Viper II frame.



Product Options

CA P/N	NTSC/ PAL	GL/ 3L	HD/ SDI	Audio TxRx	RS 232	422 485	Cam Pwr	No. Fib
TR5221	1	1			1	1		1
TR5222	1	1			1	1		2
CA5242	1	1		4x4	1	2		2
CA5422	1	1	1		1	2		2
CP5422	1	1	1		1	2	x	2
CA5442	1	1	1	4x4	1	2		2
CP5442	1	1	1	4x4	1	2	x	2

Options indicate available signals relative to CA (Camera Adapter) module
GL/3L=Genlock/Tri-level sync; Camera Power provided via SMPTE hybrid cable

Represented by:



102 Grove Street Worcester, MA 01605 USA
Phone: (508)754-4858 FAX: (508)752-1520
sales@telecast-fiber.com www.telecast-fiber.com